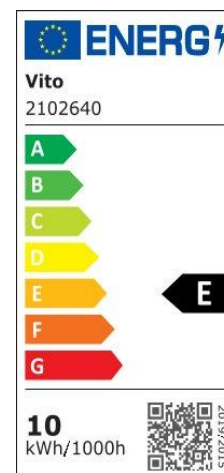


# Product Data Sheet

INDOOR LIGHTING

MONOLINO 10W

CODE: 2102640



## Area of application

LED Tracklight to be used for indoor track lighting applications on ceilings of corridors/rooms in offices, shopping malls, commercial areas..

## Product Advantages

MONOLINO is a family of rotatable single phase LED spot track lights equipped with LED lightsources. Suitable for 1 circuit track rails 9902670, 9902680, 9902690, 9902700, Surface & Suspended systems. They are equipped with microprismatic diffuser with 36 degree and UGR<19. Housing of aluminum board electrostatically painted with sandblasted finishing in sand black.

# Product Data Sheet

INDOOR LIGHTING

MONOLINO 10W

CODE: **2102640**

## Product Features

### Electrical

Power: 10Watt

Voltage: 185-265V AC ~ 50/60Hz

Power Factor: >0,5

Electrical Protection: Class II

Surge Protection: --

Dimmability: NO

Switch Cycle: 30000 times

### Material Characteristics

IP Class: IP20

IK Class: -

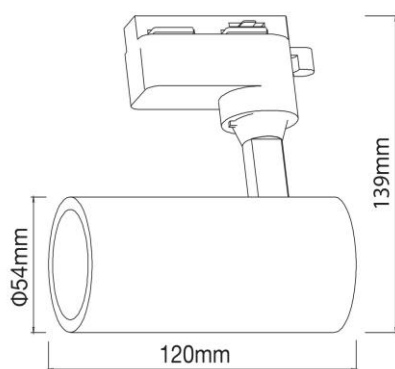
Material: Aluminum

Ambient Temperature: -25°C<ta<+50°C

Body Color: BLACK

Product Size: Ø54x120mm

### Technical Drawing



### Lighting

Lumen: 940 Lm

Luminaire efficacy: 94 Lm/W

Colour Temperature: 3000K (WARM WHITE)

Beam Angle: 36°

CRI : Ra >80

Lifetime; 30000 Hours

EEL : E

### Packing Informations

Pieces/Outbox: 20

Outbox Size: 405x200x315 mm

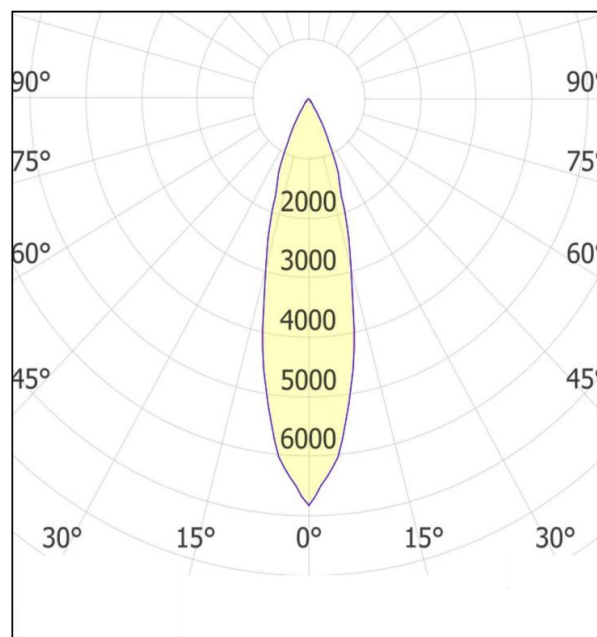
Outbox G.W.: 5,79 Kg

Outbox Volume: 0,0255 m<sup>3</sup>

Unit Weight: 289,5 gr

Barcode : 6970233831747

### Light Distribution Curve



VITO EUROPE

102 Iztochna Tangenta str. 4th Floor

P.C. 1528, Sofia/Bulgaria

Phone: +359 2 4341575

E-mail: [info@vitoeuropa.com](mailto:info@vitoeuropa.com)

[www.vitolighting.com](http://www.vitolighting.com)