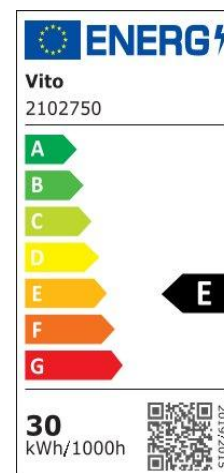


# Product Data Sheet

INDOOR LIGHTING

MONOLINO 30W

CODE: 2102750



## Area of application

LED Tracklight to be used for indoor track lighting applications on ceilings of corridors/rooms in offices, shopping malls, commercial areas..

## Product Advantages

MONOLINO is a family of rotatable single phase LED spot track lights equipped with LED lightsources. Suitable for 1 circuit track rails 9902670, 9902680, 9902690, 9902700, Surface & Suspended systems. They are equipped with microprismatic diffuser with 36 degree and UGR<19. Housing of aluminum board electrostatically painted with sandblasted finishing in sand black.

# Product Data Sheet

INDOOR LIGHTING

MONOLINO 30W

CODE: **2102750**

## Product Features

### Electrical

Power: 30Watt

Voltage: 185-265V AC ~ 50/60Hz

Power Factor: >0,5

Electrical Protection: Class II

Surge Protection: --

Dimmability: NO

Switch Cycle: 30000 times

### Material Characteristics

IP Class: IP20

IK Class: -

Material: Aluminum

Ambient Temperature: -25°C<ta<+50°C

Body Color: WHITE

Product Size: Ø80x190mm

### Lighting

Lumen: 2850 Lm

Luminaire efficacy: 95 Lm/W

Colour Temperature: 4000K (NATURAL WHITE)

Beam Angle: 36°

CRI : Ra >80

Lifetime; 30000 Hours

EEL : E

### Packing Informations

Pieces/Outbox: 20

Outbox Size: 545x200x450 mm

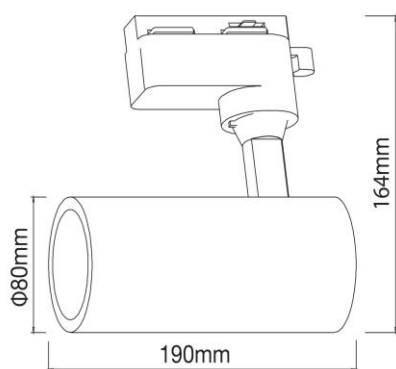
Outbox G.W.: 12,6 Kg

Outbox Volume: 0,0491 m<sup>3</sup>

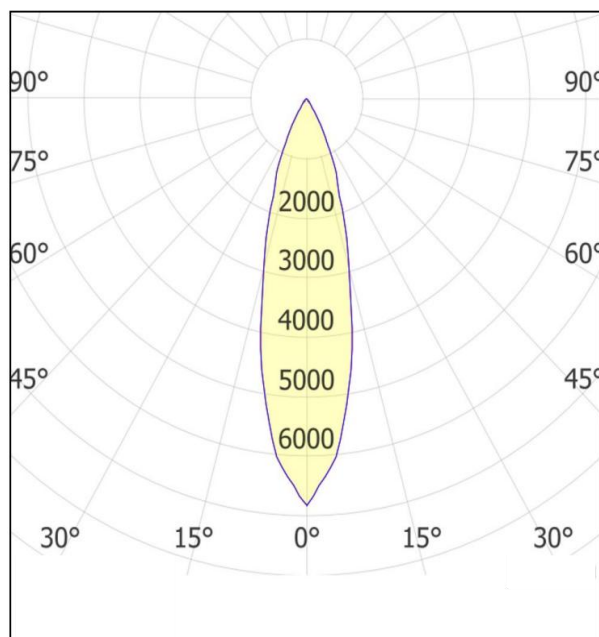
Unit Weight: 630 gr

Barcode : 6970233831457

## Technical Drawing



## Light Distribution Curve



VITO EUROPE

102 Iztochna Tangenta str. 4th Floor

P.C. 1528, Sofia/Bulgaria

Phone: +359 2 4341575

E-mail: [info@vitoeurope.com](mailto:info@vitoeurope.com)

[www.vitolighting.com](http://www.vitolighting.com)