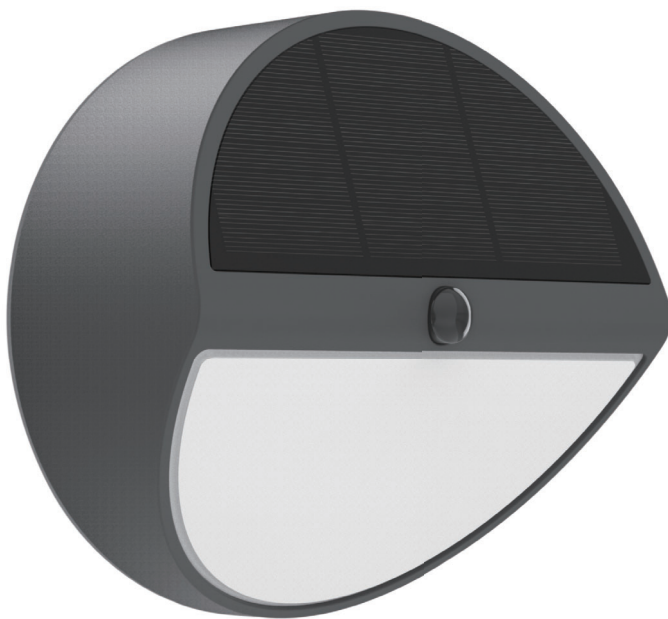


# Product Data Sheet

## SOLAR LED WALLLIGHT

**SOLARIS-R - 5W**

CODE: **3401180**



### Area of application

- For general outwall lighting applications.
- Outwalls of offices, hospitals, schools, shopping malls, parks, warehouses, industrial facilities..

### Product Advantages

- Exclusive VITO design.
- Direct replacement for conventional outwall lights.
- No corruption with plastic body.
- Mounting parts included.
- No flicker for eye protection.
- Lithium-Ion Battery and PIR sensor inside.
- Monocrystalline silicon solar panel.

# Product Data Sheet

## SOLAR LED WALLLIGHT

**SOLARIS-R - 5W**

CODE: **3401180**

### Product Features

Power: 5W

Luminaire efficacy: 100 lm/W

Luminous flux: 500lm

Colour temperature: 4000K

Beam angle: 100°

IP Class: IP54

E.P. Class: Class III

Lifetime: (L70/B50): up to 25000h

Dimmable: No

Battery: Li-Ion 18650 3.7V 2A

Discharge Time : 8 Hours (fully charged)

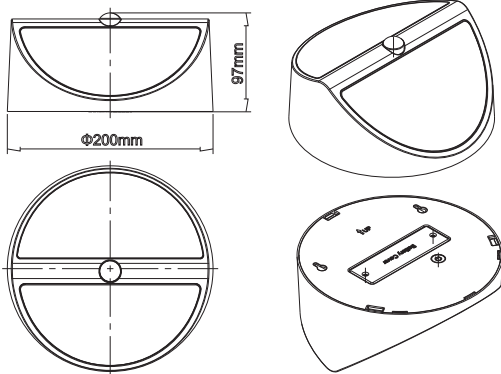
Body color: Black

Body Material: PC cover + ABS base

Solar panel material: Monocrystalline Silicon

Ambient operating temperature: -20+45 °C

Guarantee: 2 years



### Packing Informations

EAN CODE: 6977231352700

Dimensions: 530x420x420mm

Volume: 0.093m<sup>3</sup>

Gross Weight: 10.7kg

Pieces/box: 20