

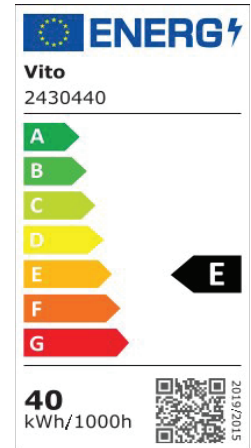
Product Data Sheet

INDOOR LIGHTING

VENUS-BCL 40W



CODE: 2430440



Area of application

Backlighted LED Panel

For indoor general lighting applications.

Ceilings of corridors/rooms in offices, schools, hospitals, shopping malls, commercial areas..

Product Advantages

VENUS BCL is a family of panel LED light fixtures equipped with SAMSUNG LED sources in the backlight position. LIFUD brand driver is included on the fixture. It is for in grid ceiling installation, can be installed on the surface of the ceiling with the frame PANELFIX-S which has to be ordered separately. Also can be installed recessed on false ceilings with the set PANELFIX-C has to be ordered separately. Housing of aluminum board electrostatically painted with sandblasted finishing in sand white. Diffuser of opal polystyrene with anti-yellow treatment with 160 degree beam angle & UGR<19.

VITO EUROPE
102 Iztochna Tangenta str. 4th Floor
P.C. 1528, Sofia/Bulgaria
Phone: +359 2 4341575
E-mail: info@vitoeurope.com

www.vitolighting.com

Product Data Sheet

INDOOR LIGHTING

VENUS-BCL 40W

CODE: 2430440

Product Features

Electrical

Power: 40Watt

Voltage: 220-240V AC ~ 50/60Hz

Power Factor: >0.9

Electrical Protection: Class II

Surge Protection: --

Dimmability: NO

Switch Cycle: 50000 times

Material Characteristics

IP Class: IP20

IK Class: -

Material: Aluminum

Ambient Temperature: -25°C<ta<+45°C

Body Color: WHITE

Product Size: 595x595x32

Lighting

Lumen: 4400 Lm

Luminaire efficacy: 110 Lm/W

Colour Temperature: 4000K (NATURAL WHITE)

Beam Angle: 160°

CRI : Ra >80

Lifetime; 50000 Hours

EEL : E

Packing Informations

Pieces/Outbox: 10

Outbox Size: 640x355x640 mm

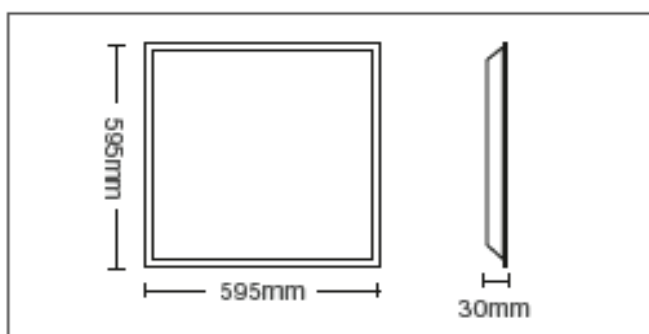
Outbox G.W.: 13 Kg

Outbox Volume: 0,1454 m³

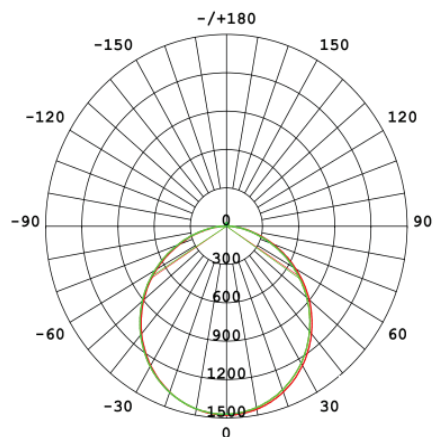
Unit Weight: 1300 gr

Barcode : 6977231353660

Technical Drawing



Light Distribution Curve



VITO EUROPE

102 Iztochna Tangenta str. 4th Floor

P.C. 1528, Sofia/Bulgaria

Phone: +359 2 4341575

E-mail: info@vitoeurope.com

www.vitolighting.com