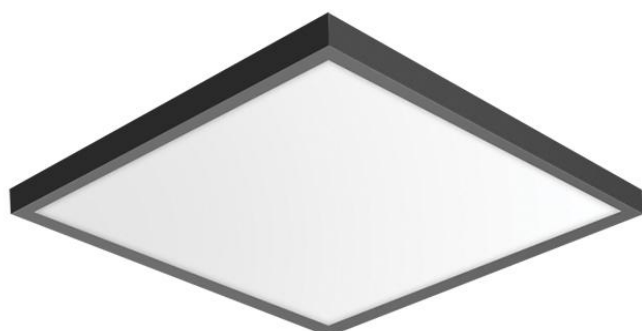
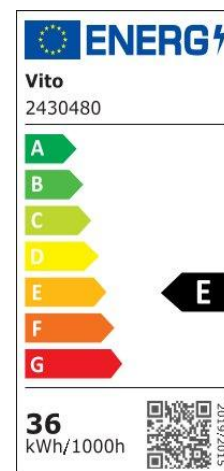


Product Data Sheet

INDOOR LIGHTING

VENUS-S 36W

CODE: 2430480



Area of application

Backlighted LED Panel with 3CCT Function for indoor general lighting applications to be installed on ceilings of corridors/rooms in offices, schools, hospitals, shopping malls, commercial areas..

Product Advantages

VENUS S is a family of panel LED light fixtures equipped with SAMSUNG LED sources in the backlight position. VITO brand driver is included on the fixture. It is for in grid ceiling installation, can be installed on the surface of the ceiling. Housing of aluminum board electrostatically painted with sandblasted finishing in sand white. Diffuser of opal polystyrene with anti-yellow treatment with 160 degree beam angle & UGR<19.

Product Data Sheet

INDOOR LIGHTING

VENUS-S 36W

CODE: 2430480

Product Features

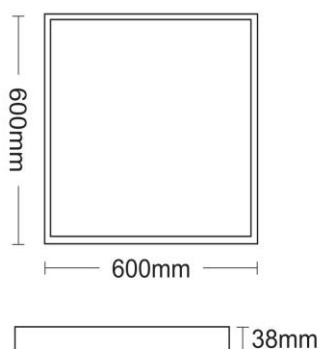
Electrical

Power: 36Watt
Voltage: 220-240V AC ~ 50/60Hz
Power Factor: >0.9
Electrical Protection: Class II
Surge Protection: --
Dimmability: NO
Switch Cycle: 30000 times

Material Characteristics

IP Class: IP20
IK Class: -
Material: Aluminum
Ambient Temperature: $-25^{\circ}\text{C} < t_a < +45^{\circ}\text{C}$
Body Color: BLACK
Product Size: 600x600x38

Technical Drawing



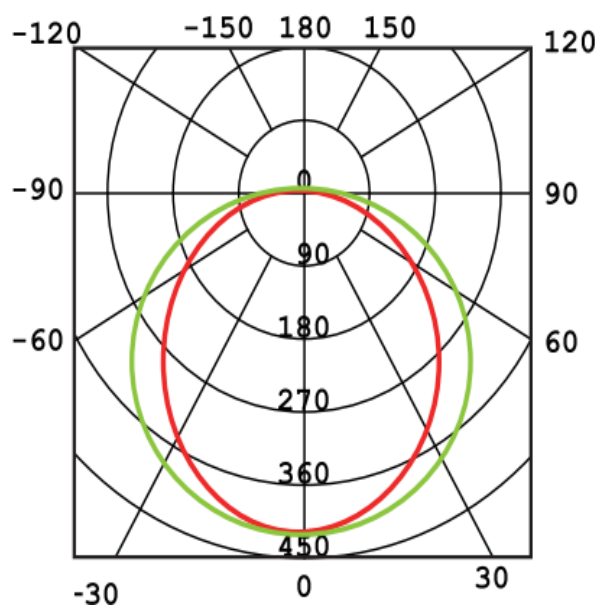
Lighting

Lumen: 4248/4320/4392 Lm
Luminaire efficacy: 118/120/122 Lm/W
Colour Temperature: 3x CCT (3000K/4000K/6500K)
Beam Angle: 160°
CRI : Ra >80
Lifetime; 30000 Hours
EEL : E

Packing Informations

Pieces/Outbox: 8
Outbox Size: 630x366x630 mm
Outbox G.W.: 16,6 Kg
Outbox Volume: 0,1453 m³
Unit Weight: 2075 gr
Barcode : 6977231353707

Light Distribution Curve



System Definition: VT/VENUS-S/36W/3CCT/600X600X35MM/8PCS/SINGLE PACK/SURFACE BACKLIGHT LED PANEL

VITO EUROPE

102 Iztochna Tangenta str. 4th Floor

P.C. 1528, Sofia/Bulgaria

Phone: +359 2 4341575

E-mail: info@vitoeurope.com

www.vitolighting.com