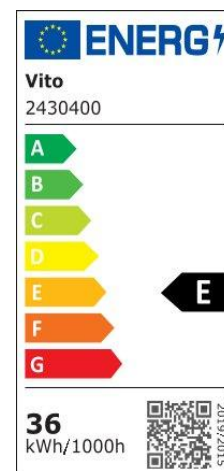


Product Data Sheet

INDOOR LIGHTING

COMBO-2IN1 36W

CODE: 2430400



Area of application

Backlighted LED Panel suitable to install as Recessed-Mount and Surface-Mount. For indoor lighting applications on Ceilings of Corridors/Rooms in offices, hospitals, schools, shopping malls, commercial areas..

Product Advantages

COMBO is a 2 in 1 panel led light fixture equipped with LED sources in the backlight position. It can be installed in-grid, on the surface of the ceiling without additional frame or suspended with the pendant set PANELFIX-P (suspension set has to be ordered separately). Housing of aluminum board electrostatically painted with sandblasted finishing in mat white color. External standard driver is included. Diffuser of opal polystyrene with anti-yellow treatment with 160o beam angle.

Product Data Sheet

INDOOR LIGHTING

COMBO-2IN1 36W

CODE: 2430400

Product Features

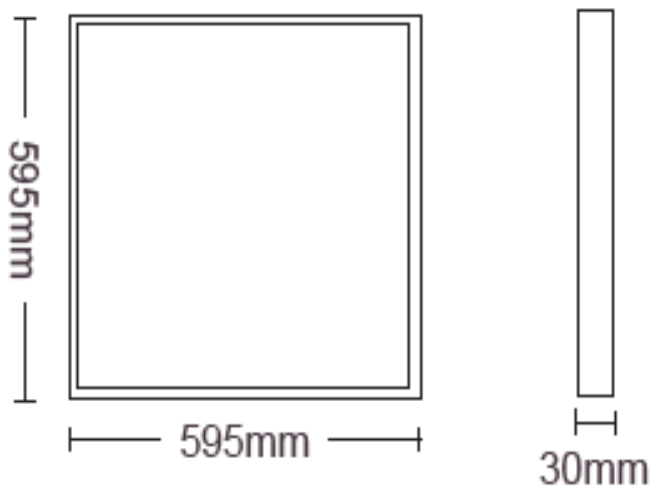
Electrical

Power (Watt): 36
Voltage: 220-240V AC ~ 50/60Hz
Power Factor: >0.9
Electrical Protection: Class II
Surge Protection: --
Dimmability: NO
Switch Cycle (Times): 30000

Material Characteristics

IP Class: IP20
IK Class: -
Material: Aluminum
Ambient Temperature: -25°C<ta<+45°C
Body Color: WHITE
Product Size (mm): 595x595x30

Technical Drawing



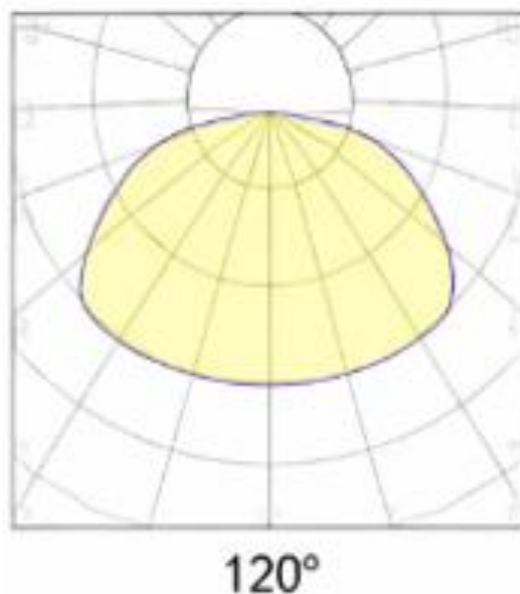
Lighting

Lumen (Lm): 4392
Luminaire efficacy (Lm/W): 122
Colour Temperature: 6500K (COOL WHITE)
Beam Angle: 160°
CRI: Ra >80
Lifetime (Hours): 30000
EEL : E

Packing Informations

Pieces/Outbox: 8
Outbox Size (mm): 625x310x640
Outbox G.W. (Kg): 13
Outbox Volume (m ³): 0,124
Unit Weight (Gr): 1625
Barcode : 6977231353622

Light Distribution Curve



System Definition: VT/COMBO-2IN1/36W/6500K/595X595X30MM/8PCS/SINGLE PACK/BACKLIGHT LED PANEL

VITO EUROPE

102 Iztochna Tangenta str. 4th Floor

P.C. 1528, Sofia/Bulgaria

Phone: +359 2 4341575

E-mail: info@vitoeuropa.com

www.vitolighting.com