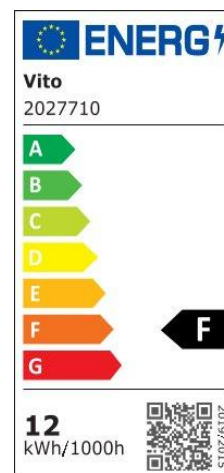


Product Data Sheet

INDOOR LIGHTING

FANLUX 12W LAMP + 11W MOTORW

CODE: 2027710



Area of application

Ceiling Fan with 3xCCT Lighting Function to be used at homes, hotels, cafes, supermarkets, ..

Product Advantages

FANLUX series CEILING FANS equipped with a nonflickering LED LAMP inside. FANLUX-A6 presents 3xCCT options and dimmability with a remote controller.

Product Data Sheet

INDOOR LIGHTING

FANLUX 12W LAMP + 11W MOTORW

CODE: **2027710**

Product Features

Electrical

Power: 12W LAMP + 11W MOTORWatt

Voltage: 85-265V AC~ 50/60Hz

Power Factor: >0,5

Electrical Protection: Class II

Surge Protection: --

Dimmability: YES

Switch Cycle: 50000 times

Material Characteristics

IP Class: IP20

IK Class: -

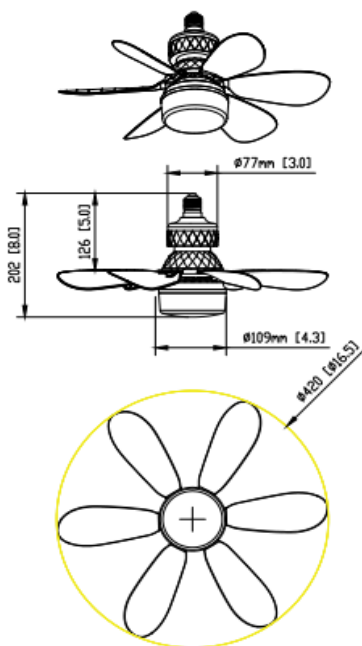
Material: Aluminum

Ambient Temperature: -20°C<ta<+45°C

Body Color: WHITE

Product Size: Ø420x202MM

Technical Drawing



Lighting

Lumen: 1020 Lm

Luminaire efficacy: 85 Lm/W

Colour Temperature: 3xCCT (3000K/4500K/6500K)

Beam Angle: 120°

CRI : Ra >80

Lifetime; 50000 Hours

EEL : F

Packing Informations

Pieces/Outbox: 24

Outbox Size: 465x365x440 mm

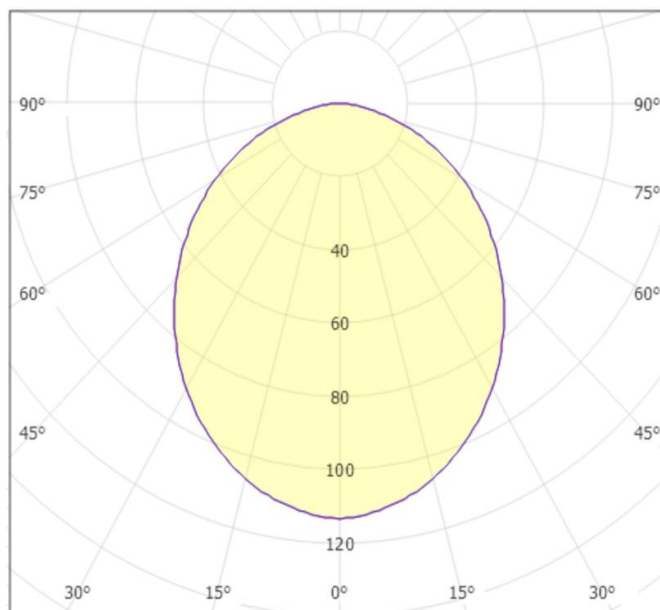
Outbox G.W.: 17,0 Kg

Outbox Volume: 0,0747 m³

Unit Weight: 708,33 gr

Barcode : 6977231353097

Light Distribution Curve



VITO EUROPE

102 Iztochna Tangenta str. 4th Floor

P.C. 1528, Sofia/Bulgaria

Phone: +359 2 4341575

E-mail: info@vitoeuropa.com

www.vitolighting.com